

Products and
Services

PRODUCTS
FOR EFFICIENT
AUTOMATION

B *innovating automation*





The right connector for every industry

FIELD ATTACHABLES



Balluff offers you an extensive product range of field attachables for the secure transmission of signals, data and power. From various designs and housing materials, you can select exactly the product that fits your application.

All plug connectors are extremely robust and industrial grade.

The most important benefits

- Large selection for every industry
- Various designs
- Various housing materials
- Secure transmission of signals, data and power
- Robust and industrial grade



| | BCC0AT9 BCC A333-0000-10-000-61X3A5-000 | |
|----------------------------------|---|--|
| Connection | 7/8"-16 UN-Female, straight, 3-pole | |
| Number of connectable contacts | 3 | |
| Connection cross-section | 0.14...1.5 mm ² | |
| Type of wire mounting | Screw terminals | |
| Cable diameter D | 8...10 mm | |
| Operating voltage U _b | 600 VDC / 600 VAC | |
| Rated current (40 °C) | 9.0 A | |
| Protection degree | IP67 | |
| Ambient temperature | -25...85 °C | |
| Approval/Conformity | EAC, cURus | |
| Productview | Page 210 | |



| BCCOATA BCC A333-0000-10-000-71X3A5-000 | BCCOATC BCC A333-0000-20-000-61X3A5-000 | BCCOATE BCC A333-0000-20-000-71X3A5-000 |
|---|---|---|
| 7/8"-16 UN-Female, straight, 3-pole | 7/8"-16 UN-Male, straight, 3-pole | 7/8"-16 UN-Male, straight, 3-pole |
| 3 | 3 | 3 |
| 0.14...1.5 mm ² | 0.14...1.5 mm ² | 0.14...1.5 mm ² |
| Screw terminals | Screw terminals | Screw terminals |
| 10...12 mm | 8...10 mm | 10...12 mm |
| 600 VDC / 600 VAC | 600 VDC / 600 VAC | 600 VDC / 600 VAC |
| 9.0 A | 9.0 A | 9.0 A |
| IP67 | IP67 | IP67 |
| -25...85 °C | -25...85 °C | -25...85 °C |
| EAC, cURus | EAC, cURus | EAC, cURus |
| Page 210 | Page 210 | Page 210 |

Sensors

RFID

Machine Vision and
Optical Identification

Human Machine
Interfaces

Systems

Safety

Industrial Networking

Power Supply

Connectivity

Accessories



| | BCC0706 BCC A334-0000-10-000-51X4A5-000 | |
|----------------------------------|---|--|
| Connection | 7/8"-16 UN-Female, straight, 4-pole | |
| Number of connectable contacts | 4 | |
| Connection cross-section | 0.14...1.5 mm ² | |
| Type of wire mounting | Screw terminals | |
| Cable diameter D | 6...8 mm | |
| Operating voltage U _b | 600 VDC / 600 VAC | |
| Rated current (40 °C) | 9.0 A | |
| Protection degree | IP67 | |
| Ambient temperature | -25...85 °C | |
| Approval/Conformity | EAC, cURus | |
| Productview | Page 210 | |



| BCC0707 BCC A334-0000-10-000-61X4A5-000 | BCC0708 BCC A334-0000-10-000-71X4A5-000 | BCC0709 BCC A334-0000-20-000-51X4A5-000 |
|---|---|---|
| 7/8"-16 UN-Female, straight, 4-pole | 7/8"-16 UN-Female, straight, 4-pole | 7/8"-16 UN-Male, straight, 4-pole |
| 4 | 4 | 4 |
| 0.14...1.5 mm ² | 0.14...1.5 mm ² | 0.14...1.5 mm ² |
| Screw terminals | Screw terminals | Screw terminals |
| 8...10 mm | 10...12 mm | 6...8 mm |
| 600 VDC / 600 VAC | 600 VDC / 600 VAC | 600 VDC / 600 VAC |
| 9.0 A | 9.0 A | 9.0 A |
| IP67 | IP67 | IP67 |
| -25...85 °C | -25...85 °C | -25...85 °C |
| EAC, cURus | EAC, cURus | EAC, cURus |
| Page 210 | Page 210 | Page 210 |

Sensors

RFID

Machine Vision and
Optical Identification

Human Machine
Interfaces

Systems

Safety

Industrial Networking

Power Supply

Connectivity

Accessories



| | BCC070A BCC A334-0000-20-000-61X4A5-000 | |
|----------------------------------|---|--|
| Connection | 7/8"-16 UN-Male, straight, 4-pole | |
| Number of connectable contacts | 4 | |
| Connection cross-section | 0.14...1.5 mm ² | |
| Type of wire mounting | Screw terminals | |
| Cable diameter D | 8...10 mm | |
| Operating voltage U _b | 600 VDC / 600 VAC | |
| Rated current (40 °C) | 9.0 A | |
| Protection degree | IP67 | |
| Ambient temperature | -25...85 °C | |
| Approval/Conformity | EAC, cURus | |
| Productview | Page 211 | |



| BCC070C BCC A334-0000-20-000-71X4A5-000 | BCC070E BCC A335-0000-10-000-51X5A5-000 | BCC070F BCC A335-0000-10-000-61X5A5-000 |
|---|---|---|
| 7/8"-16 UN-Male, straight, 4-pole | 7/8"-16 UN-Female, straight, 5-pole | 7/8"-16 UN-Female, straight, 5-pole |
| 4 | 5 | 5 |
| 0.14...1.5 mm ² | 0.14...1.5 mm ² | 0.14...1.5 mm ² |
| Screw terminals | Screw terminals | Screw terminals |
| 10...12 mm | 6...8 mm | 8...10 mm |
| 600 VDC / 600 VAC | 600 VDC / 600 VAC | 600 VDC / 600 VAC |
| 9.0 A | 9.0 A | 9.0 A |
| IP67 | IP67 | IP67 |
| -25...85 °C | -25...85 °C | -25...85 °C |
| EAC, cURus | EAC, cURus | EAC, cURus |
| Page 211 | Page 211 | Page 211 |



| | BCC070H BCC A335-0000-10-000-71X5A5-000 | |
|----------------------------------|---|--|
| Connection | 7/8"-16 UN-Female, straight, 5-pole | |
| Number of connectable contacts | 5 | |
| Connection cross-section | 0.14...1.5 mm ² | |
| Type of wire mounting | Screw terminals | |
| Cable diameter D | 10...12 mm | |
| Operating voltage U _b | 600 VDC / 600 VAC | |
| Rated current (40 °C) | 9.0 A | |
| Protection degree | IP67 | |
| Ambient temperature | -25...85 °C | |
| Approval/Conformity | EAC, cURus | |
| Productview | Page 211 | |



| BCCOATH BCC A335-0000-10-000-81X5A5-000 | BCC070J BCC A335-0000-20-000-51X5A5-000 | BCC070K BCC A335-0000-20-000-61X5A5-000 |
|---|---|---|
| 7/8"-16 UN-Female, straight, 5-pole | 7/8"-16 UN-Male, straight, 5-pole | 7/8"-16 UN-Male, straight, 5-pole |
| 5 | 5 | 5 |
| 0.14...1.5 mm ² | 0.14...1.5 mm ² | 0.14...1.5 mm ² |
| Screw terminals | Screw terminals | Screw terminals |
| 12...14 mm | 6...8 mm | 8...10 mm |
| 600 VDC / 600 VAC | 600 VDC / 600 VAC | 600 VDC / 600 VAC |
| 9.0 A | 9.0 A | 9.0 A |
| IP67 | IP67 | IP67 |
| -25...85 °C | -25...85 °C | -25...85 °C |
| EAC, cURus | EAC, cURus | EAC, cURus |
| Page 211 | Page 211 | Page 211 |



| | BCC070L BCC A335-0000-20-000-71X5A5-000 | |
|----------------------------------|---|--|
| Connection | 7/8"-16 UN-Male, straight, 5-pole | |
| Number of connectable contacts | 5 | |
| Connection cross-section | 0.14...1.5 mm ² | |
| Type of wire mounting | Screw terminals | |
| Cable diameter D | 10...12 mm | |
| Operating voltage U _b | 600 VDC / 600 VAC | |
| Rated current (40 °C) | 9.0 A | |
| Protection degree | IP67 | |
| Ambient temperature | -25...85 °C | |
| Approval/Conformity | EAC, cURus | |
| Productview | Page 211 | |



| BCCOATF BCC A335-0000-20-000-81X5A5-000 | BCCOHLN BCC M333-0000-10-000-13X325-000 | BCCOHLU BCC M333-0000-10-000-13X350-000 |
|---|---|---|
| 7/8"-16 UN-Male, straight, 5-pole | M8x1-Female, straight, 3-pole, A-coded | M8x1-Female, straight, 3-pole, A-coded |
| 5 | 3 | 3 |
| 0.14...1.5 mm ² | 0.08...0.25 mm ² | 0.25...0.5 mm ² |
| Screw terminals | Insulation displacement connector technology | Insulation displacement connector technology |
| 12...14 mm | 2.5...5.2 mm | 2.5...5.2 mm |
| 600 VDC / 600 VAC | 60 VDC / 60 VAC | 60 VDC / 60 VAC |
| 9.0 A | 4.0 A | 4.0 A |
| IP67 | IP67 | IP67 |
| -25...85 °C | -25...85 °C | -25...85 °C |
| EAC, cURus | EAC | EAC |
| Page 211 | Page 212 | Page 212 |



| | BCC09EU BCC M333-0000-10-000-22X334-000 | |
|----------------------------------|---|--|
| Connection | M8x1-Female, straight, 3-pole, A-coded | |
| Number of connectable contacts | 3 | |
| Connection cross-section | 0.14...0.38 mm ² | |
| Type of wire mounting | Penetration technology | |
| Cable diameter D | 3...5 mm | |
| Operating voltage U _b | 60 VDC / 60 VAC | |
| Rated current (40 °C) | 4.0 A | |
| Protection degree | IP67 | |
| Ambient temperature | -25...85 °C | |
| Approval/Conformity | EAC | |
| Productview | Page 212 | |



| BCC06Z1 BCC M333-0000-10-000-31X350-000 | BCC02HC BKS-S111-RT13 | BCC0HLP BCC M333-0000-20-000-13X325-000 |
|---|--|---|
| M8x1-Female, straight, 3-pole, A-coded | M8x1-Female, straight, 3-pole, A-coded | M8x1-Male, straight, 3-pole, A-coded |
| 3 | 3 | 3 |
| 0.14...0.5 mm ² | 0.14...0.34 mm ² | 0.08...0.25 mm ² |
| Screw terminals | Insulation displacement connector technology | Insulation displacement connector technology |
| 3.5...5 mm | 2.5...5.1 mm | 2.5...5.2 mm |
| 60 VDC / 60 VAC | 32 VDC / 32 VAC | 60 VDC / 60 VAC |
| 4.0 A | 4.0 A | 4.0 A |
| IP67 | IP67 | IP67 |
| -25...85 °C | -40...85 °C | -25...85 °C |
| EAC, cULus | cURus, EAC | EAC |
| Page 212 | Page 212 | Page 212 |



| | BCCOHLW BCC M333-0000-20-000-13X350-000 | |
|----------------------------------|---|--|
| Connection | M8x1-Male, straight, 3-pole, A-coded | |
| Number of connectable contacts | 3 | |
| Connection cross-section | 0.25...0.5 mm ² | |
| Type of wire mounting | Insulation displacement connector technology | |
| Cable diameter D | 2.5...5.2 mm | |
| Operating voltage U _b | 60 VDC / 60 VAC | |
| Rated current (40 °C) | 4.0 A | |
| Protection degree | IP67 | |
| Ambient temperature | -25...85 °C | |
| Approval/Conformity | EAC | |
| Productview | Page 212 | |



| BCC0E7N BCC M333-0000-20-000-31X350-000-C027 | BCC02HE BKS-S113-RT13 | BCC0HLR BCC M334-0000-10-000-13X425-000 |
|--|--|---|
| M8x1-Male, straight, 3-pole, A-coded | M8x1-Male, straight, 3-pole, A-coded | M8x1-Female, straight, 4-pole, A-coded |
| 3 | 3 | 4 |
| 0.14...0.5 mm ² | 0.14...0.34 mm ² | 0.08...0.25 mm ² |
| Screw terminals | Insulation displacement connector technology | Insulation displacement connector technology |
| 2.2...3.5 mm | 2.5...5.1 mm | 2.5...5.2 mm |
| 60 VDC / 60 VAC | 32 VDC / 32 VAC | 30 VDC / 30 VAC |
| 4.0 A | 4.0 A | 4.0 A |
| IP67 | IP67 | IP67 |
| -25...85 °C | -40...85 °C | -25...85 °C |
| EAC | cURus, EAC | EAC |
| Page 212 | Page 213 | Page 213 |



| | BCCOHL BCC M334-0000-10-000-13X450-000 | |
|----------------------------------|--|--|
| Connection | M8x1-Female, straight, 4-pole, A-coded | |
| Number of connectable contacts | 4 | |
| Connection cross-section | 0.25...0.5 mm ² | |
| Type of wire mounting | Insulation displacement connector technology | |
| Cable diameter D | 2.5...5.2 mm | |
| Operating voltage U _b | 30 VDC / 30 VAC | |
| Rated current (40 °C) | 4.0 A | |
| Protection degree | IP67 | |
| Ambient temperature | -25...85 °C | |
| Approval/Conformity | EAC | |
| Productview | Page 213 | |



| BCC06Z5 BCC M334-0000-10-000-31X450-000 | BCC02HF BKS-S216-RT14 | BCCOHLT BCC M334-0000-20-000-13X425-000 |
|---|--|---|
| M8x1-Female, straight, 4-pole, A-coded | M8x1-Female, straight, 4-pole, A-coded | M8x1-Male, straight, 4-pole, A-coded |
| 4 | 4 | 4 |
| 0.14...0.5 mm ² | 0.14...0.34 mm ² | 0.08...0.25 mm ² |
| Screw terminals | Insulation displacement connector technology | Insulation displacement connector technology |
| 3.5...5 mm | 2.5...5.1 mm | 2.5...5.2 mm |
| 60 VDC / 60 VAC | 32 VDC / 32 VAC | 30 VDC / 30 VAC |
| 4.0 A | 4.0 A | 4.0 A |
| IP67 | IP67 | IP67 |
| -25...85 °C | -40...85 °C | -25...85 °C |
| EAC, cULus | cURus, EAC | EAC |
| Page 213 | Page 212 | Page 213 |



| | BCC0HLZ BCC M334-0000-20-000-13X450-000 | |
|----------------------------------|---|--|
| Connection | M8x1-Male, straight, 4-pole, A-coded | |
| Number of connectable contacts | 4 | |
| Connection cross-section | 0.25...0.5 mm ² | |
| Type of wire mounting | Insulation displacement connector technology | |
| Cable diameter D | 2.5...5.2 mm | |
| Operating voltage U _b | 30 VDC / 30 VAC | |
| Rated current (40 °C) | 4.0 A | |
| Protection degree | IP67 | |
| Ambient temperature | -25...85 °C | |
| Approval/Conformity | EAC | |
| Productview | Page 213 | |



| BCC06Z7 BCC M334-0000-20-000-31X450-000 | BCC02HH BKS-S218-RT14 | BCC06M4 BCC M434-0000-2A-000-41X475-000 |
|---|--|---|
| M8x1-Male, straight, 4-pole, A-coded | M8x1-Male, straight, 4-pole, A-coded | M12x1-Male, straight, 4-pole, A-coded |
| 4 | 4 | 4 |
| 0.14...0.5 mm ² | 0.14...0.34 mm ² | 0.14...0.75 mm ² |
| Screw terminals | Insulation displacement connector technology | Screw terminals |
| 3.5...5 mm | 2.5...5.1 mm | 4...6 mm |
| 60 VDC / 60 VAC | 32 VDC / 32 VAC | 250 VDC / 250 VAC |
| 4.0 A | 4.0 A | 4.0 A |
| IP67 | IP67 | IP67 |
| -25...85 °C | -40...85 °C | -25...85 °C |
| EAC, cULus | cURus, EAC | cURus, EAC |
| Page 213 | Page 213 | Page 213 |



| | BCC08C0 BCC M434-0000-2A-000-43X434-000 | |
|----------------------------------|---|--|
| Connection | M12x1-Male, straight, 4-pole, A-coded | |
| Number of connectable contacts | 4 | |
| Connection cross-section | 0.14...0.34 mm ² | |
| Type of wire mounting | Insulation displacement connector technology | |
| Cable diameter D | 3.5...6 mm | |
| Operating voltage U _b | 125 VDC / 125 VAC | |
| Rated current (40 °C) | 4.0 A | |
| Protection degree | IP67 | |
| Ambient temperature | -25...80 °C | |
| Approval/Conformity | EAC | |
| Productview | Page 214 | |



| BCC0F9M BCC M434-0000-2A-000-45X450-000 | BCC06F7 BCC M434-0000-2A-000-51X475-000 | BCC06Y5 BCC M434-0000-2A-000-55X450-000 |
|---|---|---|
| M12x1-Male, straight, 4-pole, A-coded | M12x1-Male, straight, 4-pole, A-coded | M12x1-Male, straight, 4-pole, A-coded |
| 4 | 4 | 4 |
| 0.14...0.5 mm ² | 0.14...0.75 mm ² | 0.14...0.5 mm ² |
| Spring clamp terminals | Screw terminals | Spring clamp terminals |
| 4...6 mm | 6...8 mm | 6...8 mm |
| 250 VDC / 250 VAC | 250 VDC / 250 VAC | 250 VDC / 250 VAC |
| 4.0 A | 4.0 A | 4.0 A |
| IP67 | IP67 | IP67 |
| -25...85 °C | -25...85 °C | -25...85 °C |
| EAC | cURus, EAC | EAC |
| Page 214 | Page 214 | Page 214 |



| | BCC0869 BCC M474-0000-2A-000-01X475-000 | |
|----------------------------------|---|--|
| Connection | M12x1-Male, straight, 4-pole, A-coded | |
| Number of connectable contacts | 4 | |
| Connection cross-section | 0.14...0.75 mm ² | |
| Type of wire mounting | Screw terminals | |
| Cable diameter D | 5...8 mm | |
| Operating voltage U _b | 250 VDC / 250 VAC | |
| Rated current (40 °C) | 4.0 A | |
| Protection degree | IP67 | |
| Ambient temperature | -25...85 °C | |
| Approval/Conformity | EAC | |
| Productview | Page 214 | |



| BCC02H9 BKS-S109-RT14 | BCC06ZC BCC M444-0000-2A-000-41X475-000 | BCC06ZE BCC M444-0000-2A-000-51X475-000 |
|--|---|---|
| M12x1-Male, straight, 4-pole, A-coded | M12x1-Male, angled, 4-pole, A-coded | M12x1-Male, angled, 4-pole, A-coded |
| 4 | 4 | 4 |
| 0.14...0.34 mm ² | 0.14...0.75 mm ² | 0.14...0.75 mm ² |
| Insulation displacement connector technology | Screw terminals | Screw terminals |
| 2.9...5.1 mm | 4...6 mm | 6...8 mm |
| 32 VDC / 32 VAC | 250 VDC / 250 VAC | 250 VDC / 250 VAC |
| 4.0 A | 4.0 A | 4.0 A |
| IP67 | IP67 | IP67 |
| -40...85 °C | -25...85 °C | -25...85 °C |
| cURus, EAC | cURus, EAC | cURus, EAC |
| Page 214 | Page 214 | Page 214 |



| | BCC02H7 BKS-S 77-RT04 | |
|----------------------------------|--|--|
| Connection | M12x1-Male, angled, 4-pole, A-coded | |
| Number of connectable contacts | 4 | |
| Connection cross-section | 0.25...0.5 mm ² | |
| Type of wire mounting | Insulation displacement connector technology | |
| Cable diameter D | 4...5.1 mm | |
| Operating voltage U _b | 32 VDC / 32 VAC | |
| Rated current (40 °C) | 4.0 A | |
| Protection degree | IP67 | |
| Ambient temperature | -40...85 °C | |
| Approval/Conformity | cURus, EAC | |
| Productview | Page 214 | |



| BCC06Z9 BCC M435-0000-1A-000-41X475-000 | BCC06ZF BCC M435-0000-1A-000-41X575-000 | BCC06ZY BCC M435-0000-1A-000-43X434-000 |
|---|---|---|
| M12x1-Female, straight, 5-pole, A-coded | M12x1-Female, straight, 5-pole, A-coded | M12x1-Female, straight, 5-pole, A-coded |
| 4 | 5 | 4 |
| 0.14...0.75 mm ² | 0.14...0.75 mm ² | 0.14...0.34 mm ² |
| Screw terminals | Screw terminals | Insulation displacement connector technology |
| 4...6 mm | 4...6 mm | 3.5...6 mm |
| 250 VDC / 250 VAC | 125 VDC / 125 VAC | 250 VDC / 250 VAC |
| 4.0 A | 4.0 A | 4.0 A |
| IP67 | IP67 | IP67 |
| -25...85 °C | -25...85 °C | -40...80 °C |
| cURus, EAC | cURus, EAC | EAC |
| Page 214 | Page 214 | Page 215 |



| | BCCOF9N BCC M435-0000-1A-000-45X450-000 | |
|----------------------------------|---|--|
| Connection | M12x1-Female, straight, 5-pole, A-coded | |
| Number of connectable contacts | 4 | |
| Connection cross-section | 0.14...0.5 mm ² | |
| Type of wire mounting | Spring clamp terminals | |
| Cable diameter D | 4...6 mm | |
| Operating voltage U _b | 250 VDC / 250 VAC | |
| Rated current (40 °C) | 4.0 A | |
| Protection degree | IP67 | |
| Ambient temperature | -25...85 °C | |
| Approval/Conformity | EAC | |
| Productview | Page 214 | |



| BCC06F6 BCC M435-0000-1A-000-51X475-000 | BCC06W9 BCC M435-0000-1A-000-51X575-000 | BCC06Y6 BCC M435-0000-1A-000-55X450-000 |
|---|---|---|
| M12x1-Female, straight, 5-pole, A-coded | M12x1-Female, straight, 5-pole, A-coded | M12x1-Female, straight, 5-pole, A-coded |
| 4 | 5 | 4 |
| 0.14...0.75 mm ² | 0.14...0.75 mm ² | 0.14...0.5 mm ² |
| Screw terminals | Screw terminals | Spring clamp terminals |
| 6...8 mm | 6...8 mm | 6...8 mm |
| 250 VDC / 250 VAC | 125 VDC / 125 VAC | 250 VDC / 250 VAC |
| 4.0 A | 4.0 A | 4.0 A |
| IP67 | IP67 | IP67 |
| -25...85 °C | -25...85 °C | -25...85 °C |
| cURus, EAC | cURus, EAC | EAC |
| Page 215 | Page 215 | Page 215 |

Sensors

RFID

Machine Vision and
Optical Identification

Human Machine
Interfaces

Systems

Safety

Industrial Networking

Power Supply

Connectivity

Accessories



| | BCC09JP BCC M435-0000-1A-000-A1X575-000 | |
|----------------------------------|---|--|
| Connection | M12x1-Female, straight, 5-pole, A-coded | |
| Number of connectable contacts | 5 | |
| Connection cross-section | 0.14...0.75 mm ² | |
| Type of wire mounting | Screw terminals | |
| Cable diameter D | 2.1...3 mm | |
| Operating voltage U _b | 125 VDC / 125 VAC | |
| Rated current (40 °C) | 4.0 A | |
| Protection degree | IP67 | |
| Ambient temperature | -25...85 °C | |
| Approval/Conformity | cURus, EAC | |
| Productview | Page 215 | |



| BCC06ZM BCC M475-0000-1A-000-01X475-000 | BCC06ZN BCC M475-0000-1A-000-01X575-000 | BCC02H8 BKS-S107-RT14 |
|---|---|--|
| M12x1-Female, straight, 5-pole, A-coded | M12x1-Female, straight, 5-pole, A-coded | M12x1-Female, straight, 5-pole, A-coded |
| 4 | 5 | 4 |
| 0.14...0.75 mm ² | 0.14...0.75 mm ² | 0.14...0.34 mm ² |
| Screw terminals | Screw terminals | Insulation displacement connector technology |
| 5...8 mm | 5...8 mm | 2.9...5.1 mm |
| 250 VDC / 250 VAC | 125 VDC / 125 VAC | 32 VDC / 32 VAC |
| 4.0 A | 4.0 A | 4.0 A |
| IP67 | IP67 | IP67 |
| -25...85 °C | -25...85 °C | -40...85 °C |
| EAC | cURus, EAC | cURus, EAC |
| Page 215 | Page 215 | Page 215 |



| | BCC06YA BCC M435-0000-2A-000-41X575-000 | |
|----------------------------------|---|--|
| Connection | M12x1-Male, straight, 5-pole, A-coded | |
| Number of connectable contacts | 5 | |
| Connection cross-section | 0.14...0.75 mm ² | |
| Type of wire mounting | Screw terminals | |
| Cable diameter D | 4...6 mm | |
| Operating voltage U _b | 125 VDC / 125 VAC | |
| Rated current (40 °C) | 4.0 A | |
| Protection degree | IP67 | |
| Ambient temperature | -25...85 °C | |
| Approval/Conformity | cURus, EAC | |
| Productview | Page 215 | |



| BCC06EY BCC M435-0000-2A-000-51X575-000 | BCC09JW BCC M435-0000-2A-000-A1X575-000 | BCC086A BCC M475-0000-2A-000-01X575-000 |
|---|---|---|
| M12x1-Male, straight, 5-pole, A-coded | M12x1-Male, straight, 5-pole, A-coded | M12x1-Male, straight, 5-pole, A-coded |
| 5 | 5 | 5 |
| 0.14...0.75 mm ² | 0.14...0.75 mm ² | 0.14...0.75 mm ² |
| Screw terminals | Screw terminals | Screw terminals |
| 6...8 mm | 2.1...3 mm | 5...8 mm |
| 125 VDC / 125 VAC | 125 VDC / 125 VAC | 250 VDC / 250 VAC |
| 4.0 A | 4.0 A | 4.0 A |
| IP67 | IP67 | IP67 |
| -25...85 °C | -25...85 °C | -25...85 °C |
| cURus, EAC | cURus, EAC | cURus, EAC |
| Page 215 | Page 215 | Page 216 |



| | BCC06ZA BCC M445-0000-1A-000-41X475-000 | |
|----------------------------------|---|--|
| Connection | M12x1-Female, angled, 5-pole, A-coded | |
| Number of connectable contacts | 4 | |
| Connection cross-section | 0.14...0.75 mm ² | |
| Type of wire mounting | Screw terminals | |
| Cable diameter D | 4...6 mm | |
| Operating voltage U _b | 250 VDC / 250 VAC | |
| Rated current (40 °C) | 4.0 A | |
| Protection degree | IP67 | |
| Ambient temperature | -40...85 °C | |
| Approval/Conformity | EAC | |
| Productview | Page 216 | |



| BCC06ZH BCC M445-0000-1A-000-41X575-000 | BCC06Y8 BCC M445-0000-1A-000-51X475-000 | BCC06ZJ BCC M445-0000-1A-000-51X575-000 |
|---|---|---|
| M12x1-Female, angled, 5-pole, A-coded | M12x1-Female, angled, 5-pole, A-coded | M12x1-Female, angled, 5-pole, A-coded |
| 5 | 4 | 5 |
| 0.14...0.75 mm ² | 0.14...0.75 mm ² | 0.14...0.75 mm ² |
| Screw terminals | Screw terminals | Screw terminals |
| 4...6 mm | 6...8 mm | 6...8 mm |
| 125 VDC / 125 VAC | 250 VDC / 250 VAC | 125 VDC / 125 VAC |
| 4.0 A | 4.0 A | 4.0 A |
| IP67 | IP67 | IP67 |
| -40...85 °C | -40...85 °C | -40...85 °C |
| cURus, EAC | cURus, EAC | cURus, EAC |
| Page 216 | Page 216 | Page 216 |

Sensors

RFID

Machine Vision and
Optical Identification

Human Machine
Interfaces

Systems

Safety

Industrial Networking

Power Supply

Connectivity

Accessories



| | BCC02H6 BKS-S 76-RT04 | |
|----------------------------------|--|--|
| Connection | M12x1-Female, angled, 5-pole, A-coded | |
| Number of connectable contacts | 4 | |
| Connection cross-section | 0.25...0.5 mm ² | |
| Type of wire mounting | Insulation displacement connector technology | |
| Cable diameter D | 4...5.1 mm | |
| Operating voltage U _b | 32 VDC / 32 VAC | |
| Rated current (40 °C) | 4.0 A | |
| Protection degree | IP67 | |
| Ambient temperature | -40...85 °C | |
| Approval/Conformity | cURus, EAC | |
| Productview | Page 216 | |



| BCC06ZK BCC M445-0000-2A-000-41X575-000 | BCC06ZL BCC M445-0000-2A-000-51X575-000 | BCC0A03 BCC M438-0000-1A-000-51X850-000 |
|---|---|---|
| M12x1-Male, angled, 5-pole, A-coded | M12x1-Male, angled, 5-pole, A-coded | M12x1-Female, straight, 8-pole, A-coded |
| 5 | 5 | 8 |
| 0.14...0.75 mm ² | 0.14...0.75 mm ² | 0.14...0.5 mm ² |
| Screw terminals | Screw terminals | Screw terminals |
| 4...6 mm | 6...8 mm | 6...8 mm |
| 125 VDC / 125 VAC | 125 VDC / 125 VAC | 60 VDC / 60 VAC |
| 4.0 A | 4.0 A | 2.0 A |
| IP67 | IP67 | IP67 |
| -40...85 °C | -40...85 °C | -25...85 °C |
| cURus, EAC | cURus, EAC | cURus, EAC |
| Page 216 | Page 216 | Page 217 |



| | BCC04MC BCC M478-0000-1A-000-43X834-000 | |
|----------------------------------|---|--|
| Connection | M12x1-Female, straight, 8-pole, A-coded | |
| Number of connectable contacts | 8 | |
| Connection cross-section | 0.14...0.34 mm ² | |
| Type of wire mounting | Insulation displacement connector technology | |
| Cable diameter D | 4...8 mm | |
| Operating voltage U _b | 30 VDC / 30 VAC | |
| Rated current (40 °C) | 1.75 A | |
| Protection degree | IP67 | |
| Ambient temperature | -25...85 °C | |
| Approval/Conformity | EAC | |
| Productview | Page 217 | |



| BCC0A04 BCC M438-0000-2A-000-51X850-000 | BCC0HAH BCC M478-0000-2A-000-41X850-000 | BCC04ME BCC M488-0000-1A-000-43X834-000 |
|---|---|---|
| M12x1-Male, straight, 8-pole, A-coded | M12x1-Male, straight, 8-pole, A-coded | M12x1-Female, angled, 8-pole, A-coded |
| 8 | 8 | 8 |
| 0.14...0.5 mm ² | 0.14...0.5 mm ² | 0.14...0.34 mm ² |
| Screw terminals | Screw terminals | Insulation displacement connector technology |
| 6...8 mm | 4...6 mm | 4...8 mm |
| 60 VDC / 60 VAC | 30 VDC / 30 VAC | 30 VDC / 30 VAC |
| 2.0 A | 2.0 A | 1.75 A |
| IP67 | IP67 | IP67 |
| -25...85 °C | -25...85 °C | -25...85 °C |
| cURus, EAC | EAC | EAC |
| Page 217 | Page 217 | Page 217 |



| | | |
|----------------------------------|---|--|
| | BCC0KR4 BCC M488-0000-2A-000-01X850-000 | |
| Connection | M12x1-Male, angled, 8-pole, A-coded | |
| Number of connectable contacts | 8 | |
| Connection cross-section | 0.14...0.5 mm ² | |
| Type of wire mounting | Screw terminals | |
| Cable diameter D | 5...8 mm | |
| Operating voltage U _b | 30 VDC / 30 VAC | |
| Rated current (40 °C) | 2.0 A | |
| Protection degree | IP67 | |
| Ambient temperature | -40...85 °C | |
| Approval/Conformity | EAC | |
| Productview | Page 217 | |



| BCC0A05 BCC M43C-0000-1A-000-54XC25-000 | BCC0A06 BCC M43C-0000-2A-000-54XC25-000 | BCC0715 BCC M475-0000-1B-000-01X575-000 |
|---|---|---|
| M12x1-Female, straight, 12-pole, A-coded | M12x1-Male, straight, 12-pole, A-coded | M12x1-Female, straight, 5-pole, B-coded |
| 12 | 12 | 5 |
| 0.14...0.25 mm ² | 0.14...0.25 mm ² | 0.14...0.75 mm ² |
| Solder connections | Solder connections | Screw terminals |
| 6...8 mm | 6...8 mm | 5...8 mm |
| 30 VDC / 30 VAC | 30 VDC / 30 VAC | 250 VDC / 250 VAC |
| 1.0 A | 1.0 A | 4.0 A |
| IP67 | IP67 | IP67 |
| -25...85 °C | -25...85 °C | -25...85 °C |
| cURus, EAC | cURus, EAC | cURus, EAC |
| Page 217 | Page 217 | Page 218 |



| | BCC0714 BCC M475-0000-2B-000-01X575-000 | |
|----------------------------------|---|--|
| Connection | M12x1-Male, straight, 5-pole, B-coded | |
| Number of connectable contacts | 5 | |
| Connection cross-section | 0.14...0.75 mm ² | |
| Type of wire mounting | Screw terminals | |
| Cable diameter D | 5...8 mm | |
| Operating voltage U _b | 250 VDC / 250 VAC | |
| Rated current (40 °C) | 4.0 A | |
| Protection degree | IP67 | |
| Ambient temperature | -25...85 °C | |
| Approval/Conformity | cURus, EAC | |
| Productview | Page 218 | |



| BCC0717 BCC M485-0000-1B-000-01X575-000 | BCC0716 BCC M485-0000-2B-000-01X575-000 | BCC03Y1 BCC M474-0000-1D-000-51X475-000 |
|---|---|---|
| M12x1-Female, angled, 5-pole, B-coded | M12x1-Male, angled, 5-pole, B-coded | M12x1-Female, straight, 4-pole, D-coded |
| 5 | 5 | 4 |
| 0.14...0.75 mm ² | 0.14...0.75 mm ² | 0.14...0.75 mm ² |
| Screw terminals | Screw terminals | Screw terminals |
| 5...8 mm | 5...8 mm | 5...8 mm |
| 250 VDC / 250 VAC | 250 VDC / 250 VAC | 250 VDC / 250 VAC |
| 4.0 A | 4.0 A | 4.0 A |
| IP67 | IP67 | IP67 |
| -25...85 °C | -25...85 °C | -25...85 °C |
| cURus, EAC | cURus, EAC | cURus, EAC |
| Page 218 | Page 218 | Page 218 |



| | BCC03WZ BCC M474-0000-2D-000-51X475-000 | |
|----------------------------------|---|--|
| Connection | M12x1-Male, straight, 4-pole, D-coded | |
| Number of connectable contacts | 4 | |
| Connection cross-section | 0.14...0.75 mm ² | |
| Type of wire mounting | Screw terminals | |
| Cable diameter D | 5...8 mm | |
| Operating voltage U _b | 250 VDC / 250 VAC | |
| Rated current (40 °C) | 4.0 A | |
| Protection degree | IP67 | |
| Ambient temperature | -25...85 °C | |
| Approval/Conformity | cURus, EAC | |
| Productview | Page 218 | |



| BCC03Y2 BCC M484-0000-1D-000-51X475-000 | BCC03Y0 BCC M484-0000-2D-000-51X475-000 | BCCOHTL BCC M478-0000-2X-000-E3X8T2-000 |
|---|---|---|
| M12x1-Female, angled, 4-pole, D-coded | M12x1-Male, angled, 4-pole, D-coded | M12x1-Male, straight, 8-pole, X-coded |
| 4 | 4 | 8 |
| 0.14...0.75 mm ² | 0.14...0.75 mm ² | 0.14...0.34 mm ² |
| Screw terminals | Screw terminals | Insulation displacement connector technology |
| 5...8 mm | 5...8 mm | 5.5...9 mm |
| 250 VDC / 250 VAC | 250 VDC / 250 VAC | 60 VDC / 50 VAC |
| 4.0 A | 4.0 A | 0.5 A |
| IP67 | IP67 | IP67 |
| -25...85 °C | -25...85 °C | -40...85 °C |
| cURus, EAC | cURus, EAC | cULus, EAC |
| Page 218 | Page 218 | Page 218 |



| | BCC00T BKS-S 32M-00 | |
|----------------------------------|-----------------------------------|--|
| Connection | M16x0.75-Female, straight, 8-pole | |
| Number of connectable contacts | 8 | |
| Connection cross-section | 0.14...0.75 mm ² | |
| Type of wire mounting | Solder connections | |
| Cable diameter D | 6...8 mm | |
| Operating voltage U _b | 60 VDC / 60 VAC | |
| Rated current (40 °C) | 5.0 A | |
| Protection degree | IP67 | |
| Ambient temperature | -40...95 °C | |
| Approval/Conformity | EAC | |
| Productview | Page 219 | |



| BCC00UP BKS-S 33M-00 | BCC06FH BCC E834-0000-20-000-53X4T2-000 | |
|---------------------------------|---|--|
| M16x0.75-Female, angled, 8-pole | RJ45-Male, straight, 4-pole | |
| 8 | 4 | |
| 0.14...0.75 mm ² | 0.2...0.34 mm ² | |
| Solder connections | Insulation displacement connector technology | |
| 6...8 mm | 6.1...6.9 mm | |
| 60 VDC / 60 VAC | 125 VDC / 125 VAC | |
| 5.0 A | 1.0 A | |
| IP67 | IP20 | |
| -40...95 °C | -40...70 °C | |
| EAC | cURus, EAC | |
| Page 219 | Page 219 | |

Sensors

RFID

Machine Vision and
Optical Identification

Human Machine
Interfaces

Systems

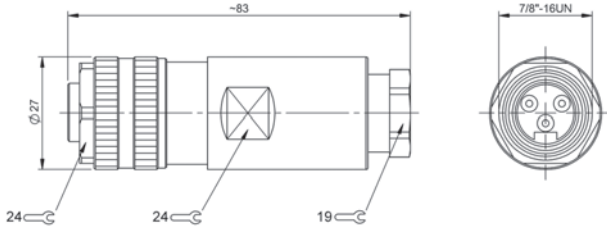
Safety

Industrial Networking

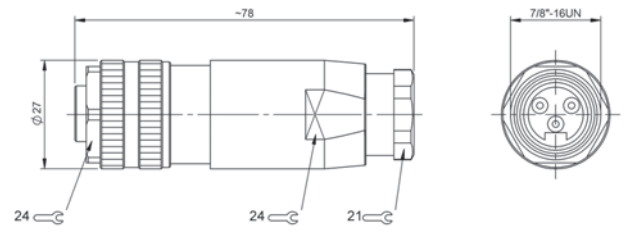
Power Supply

Connectivity

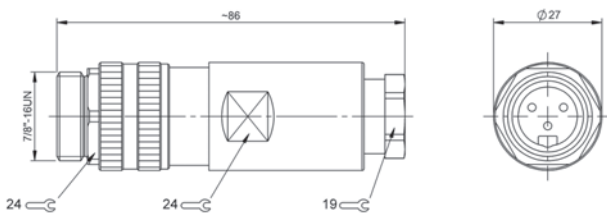
Accessories



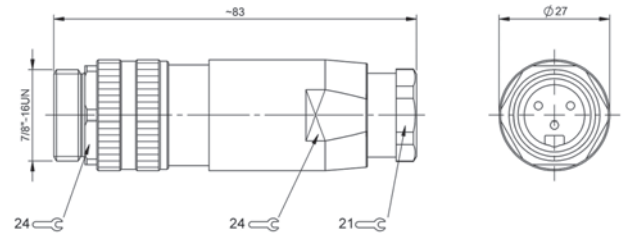
BCC0AT9



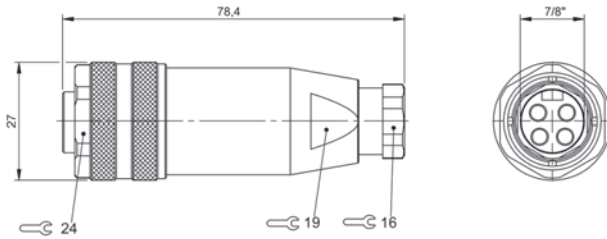
BCC0ATA



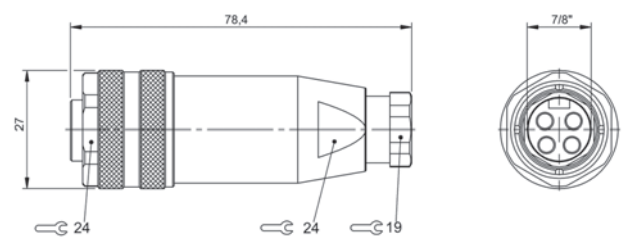
BCC0ATC



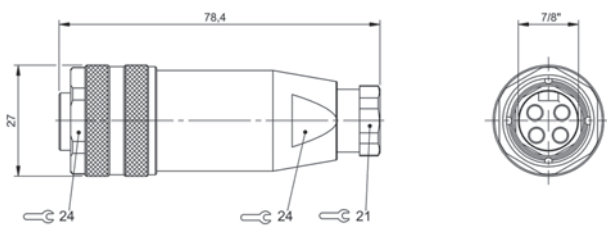
BCC0ATE



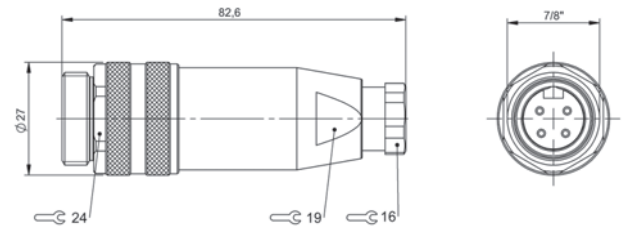
BCC0706



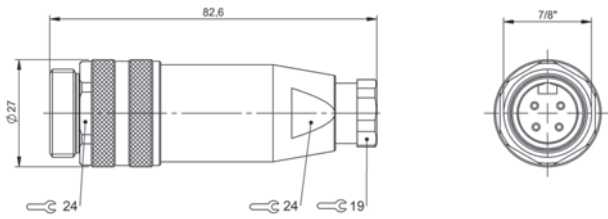
BCC0707



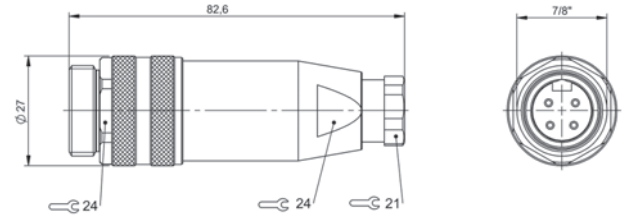
BCC0708



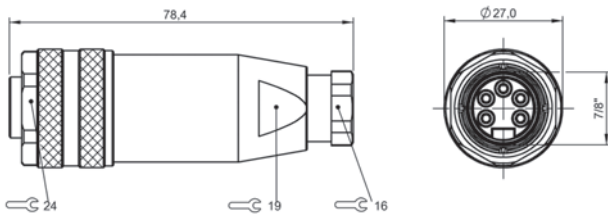
BCC0709



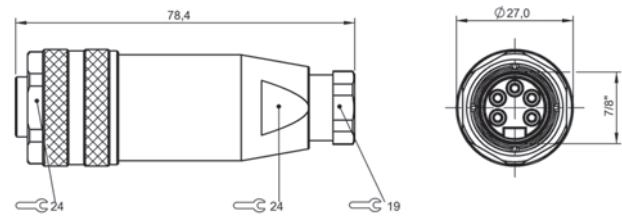
BCC070A



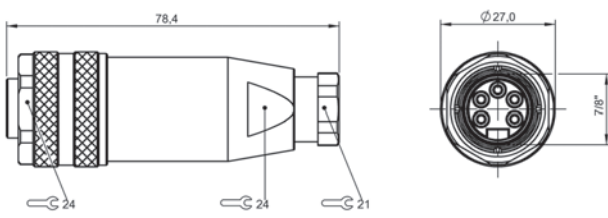
BCC070C



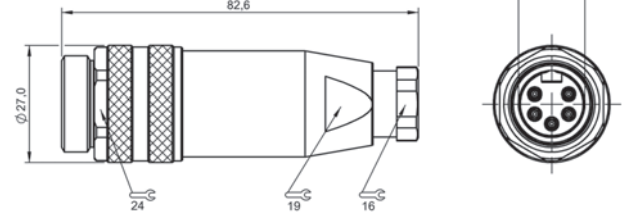
BCC070E



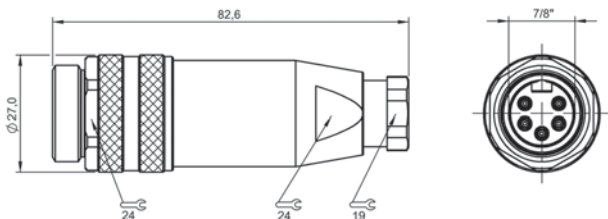
BCC070F



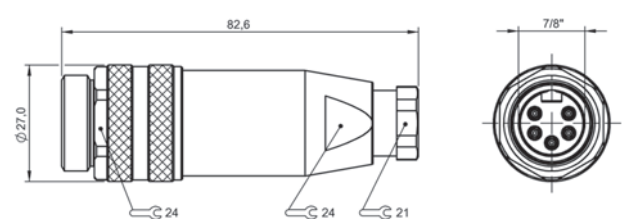
BCC070H, BCC0ATH



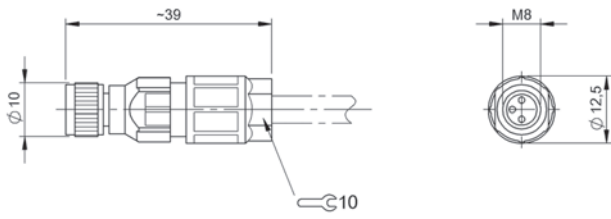
BCC070J



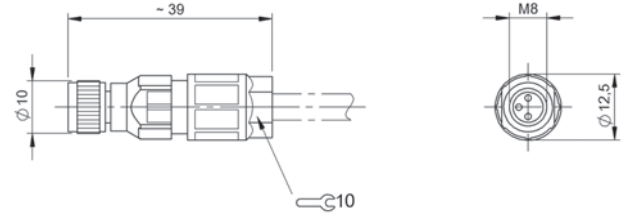
BCC070K



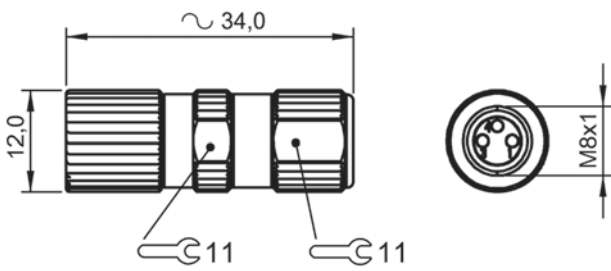
BCC070L, BCC0ATF



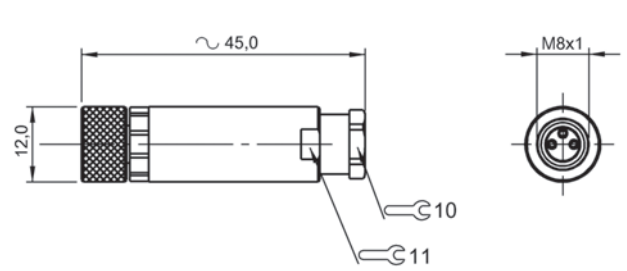
BCC0HLN



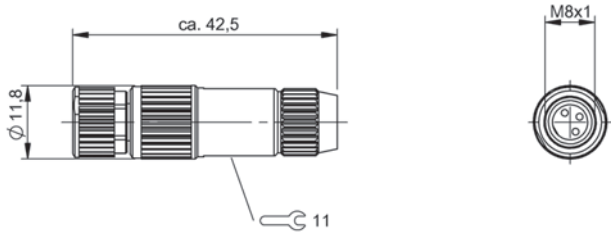
BCC0HLU



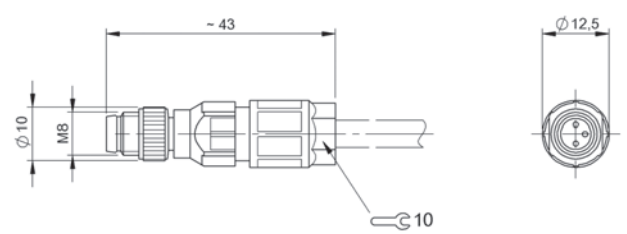
BCC09EU



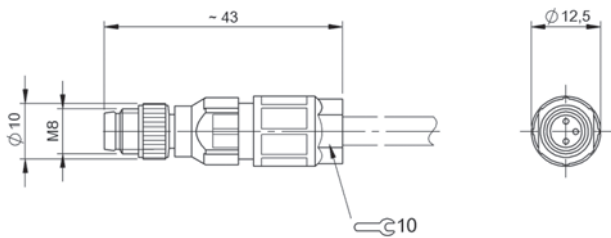
BCC06Z1



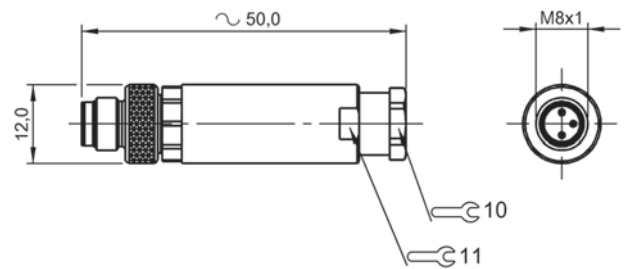
BCC02HC, BCC02HF



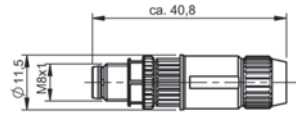
BCC0HLP



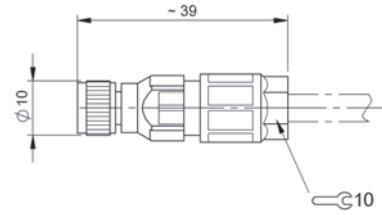
BCC0HLW



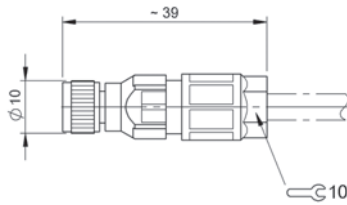
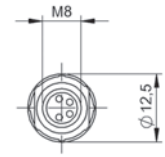
BCC0E7N



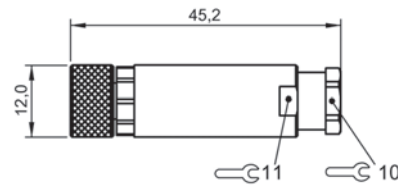
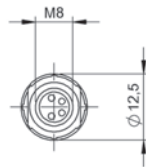
BCC02HE, BCC02HH



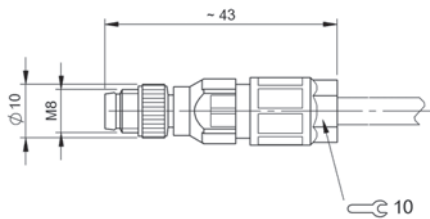
BCC0HLR



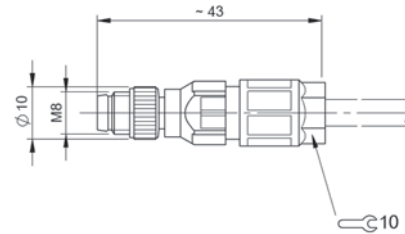
BCC0HLY



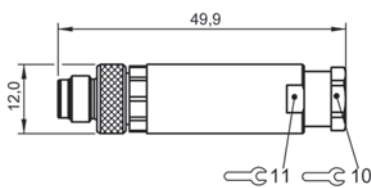
BCC06Z5



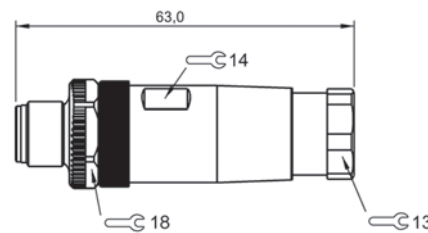
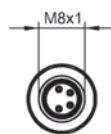
BCC0HLT



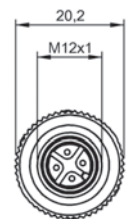
BCC0HLZ

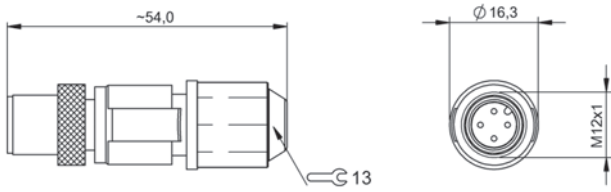


BCC06Z7

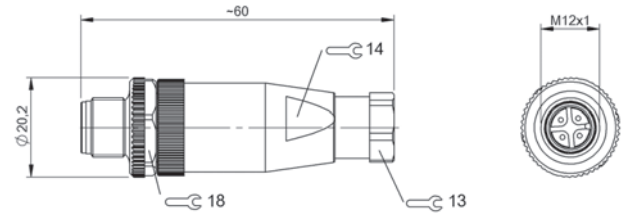


BCC06M4

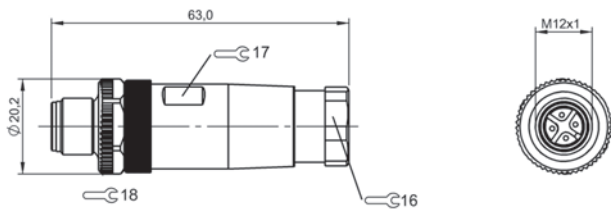




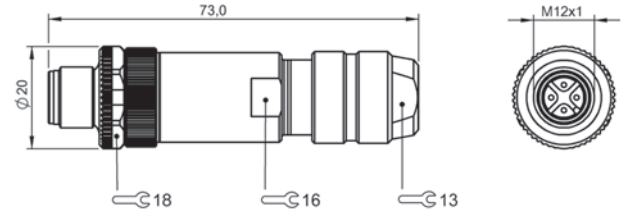
BCC08C0



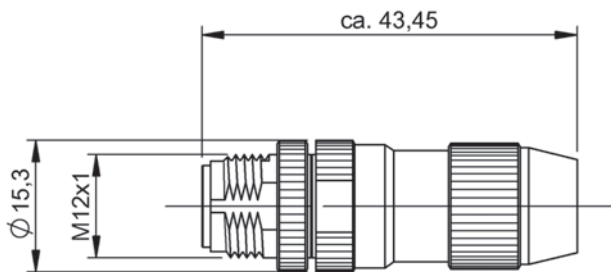
BCC0F9M



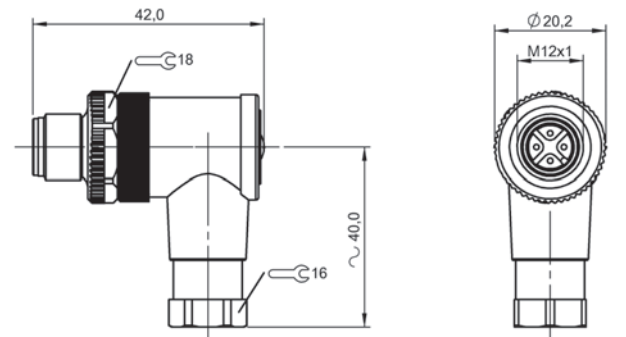
BCC06F7, BCC06Y5



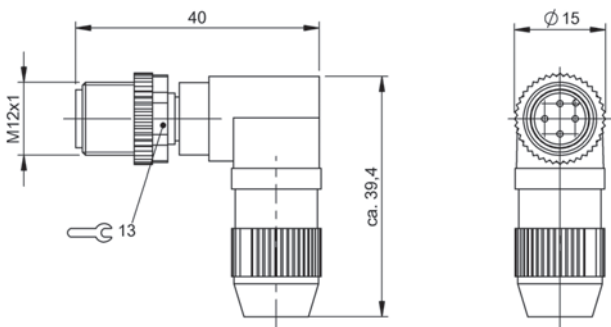
BCC0869



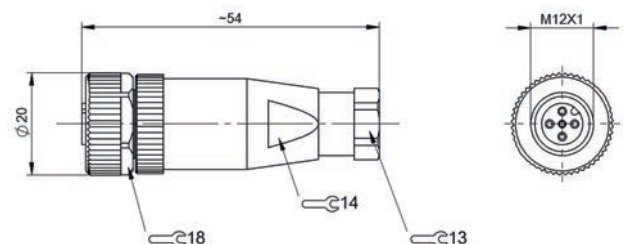
BCC02H9



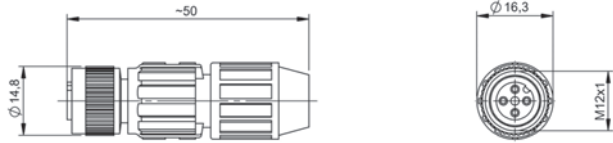
BCC06ZC, BCC06ZE



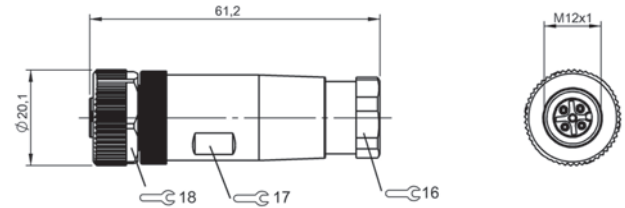
BCC02H7



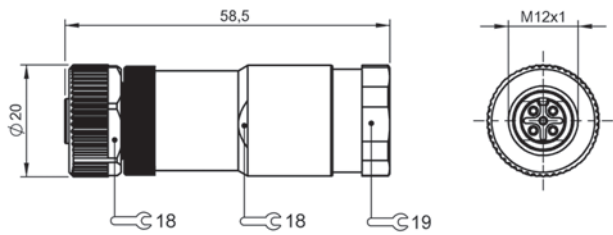
BCC06Z9, BCC06ZF, BCC0F9N



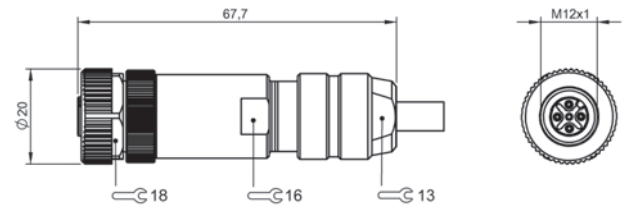
BCC06ZY



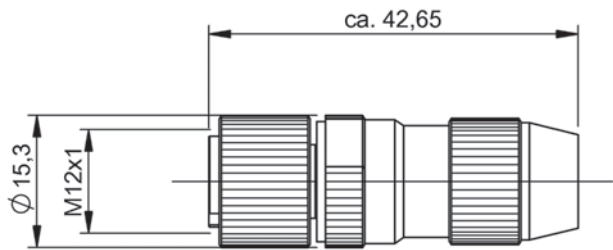
BCC06F6, BCC06W9, BCC06Y6



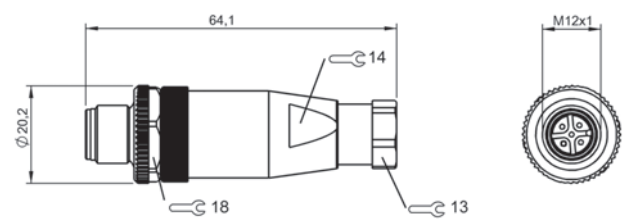
BCC09JP



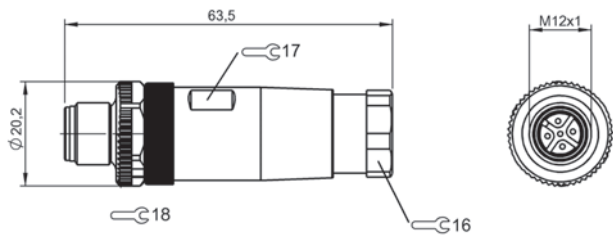
BCC06ZM, BCC06ZN



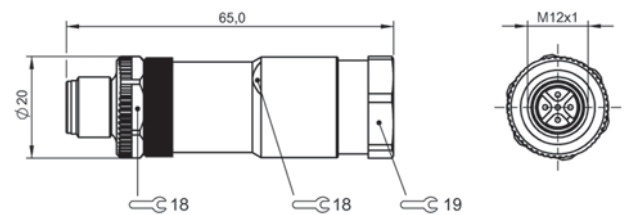
BCC02H8



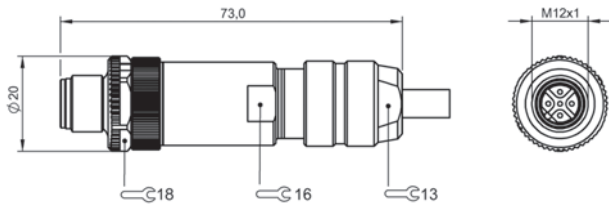
BCC06YA



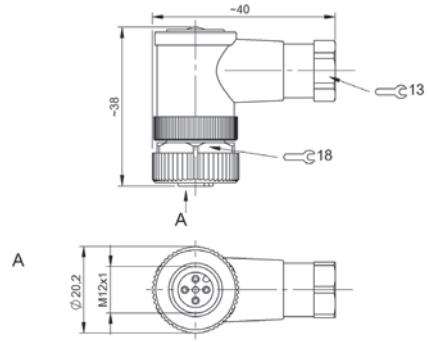
BCC06EY



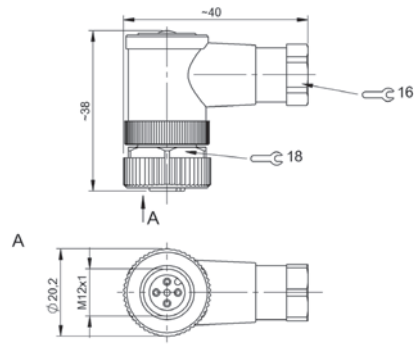
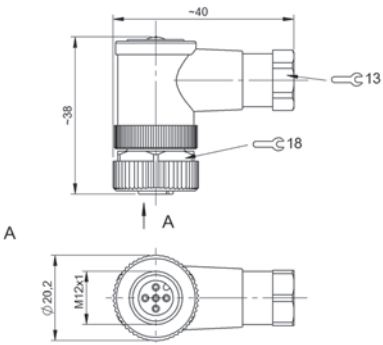
BCC09JW



BCC086A

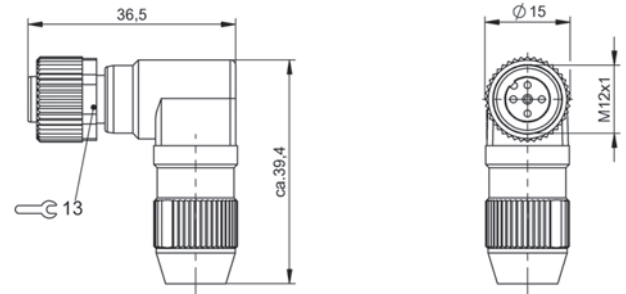
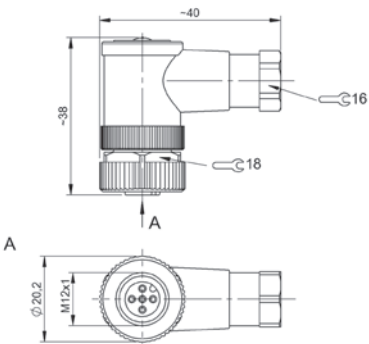


BCC06ZA



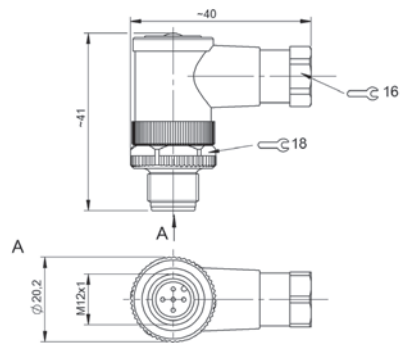
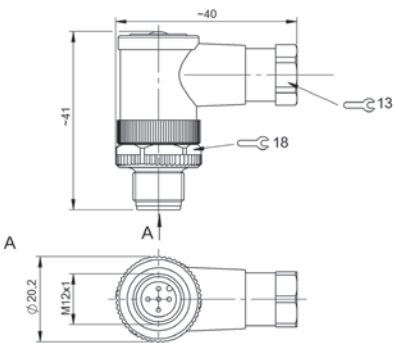
BCC06ZH

BCC06Y8



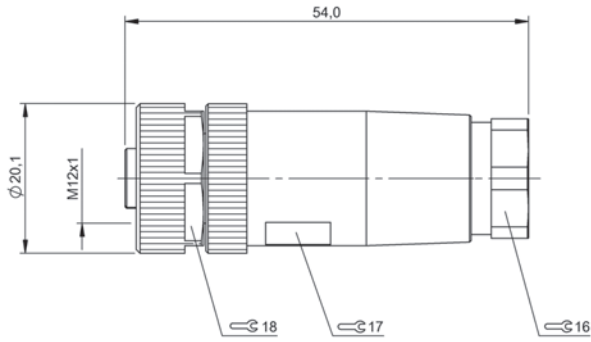
BCC06ZJ

BCC02H6

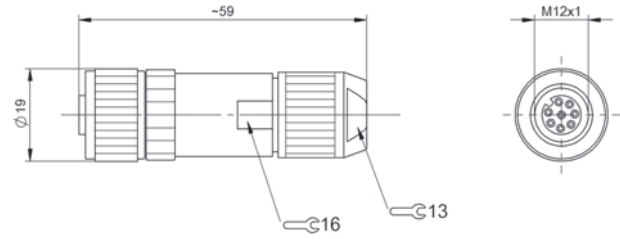


BCC06ZK

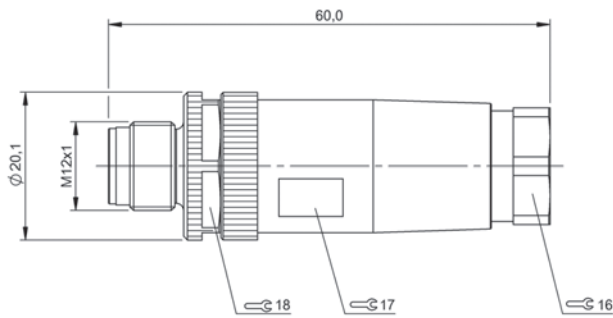
BCC06ZL



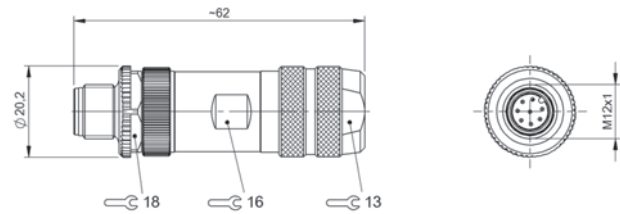
BCC0A03



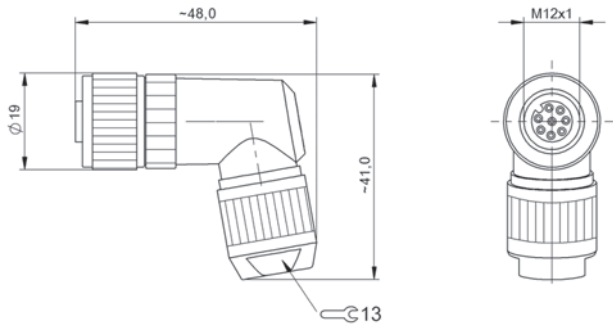
BCC04MC



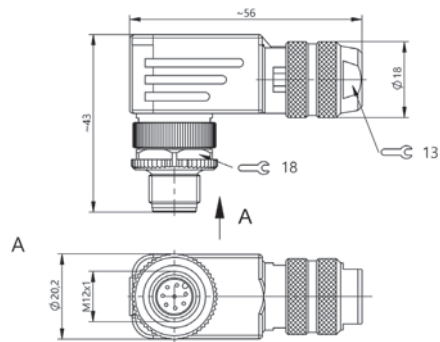
BCC0A04



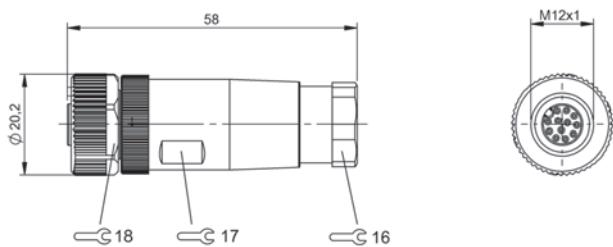
BCC04HAH



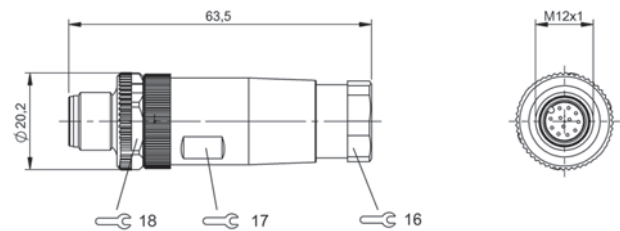
BCC04ME



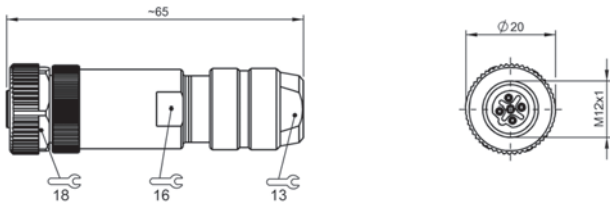
BCC0KR4



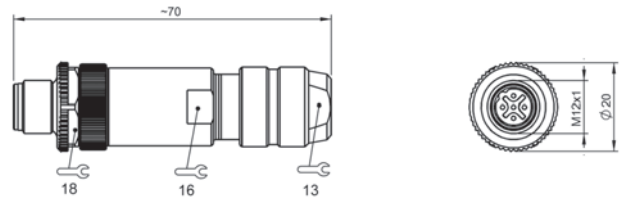
BCC0A05



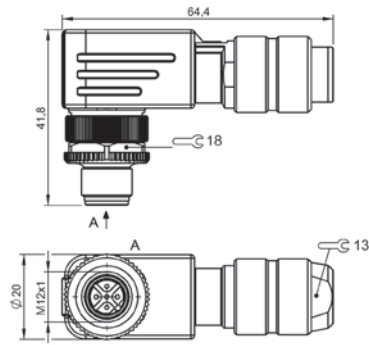
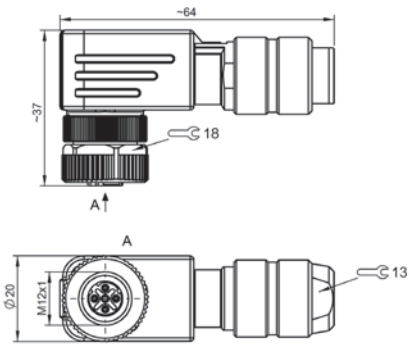
BCC0A06



BCC0715

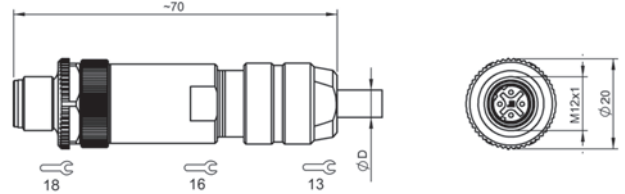
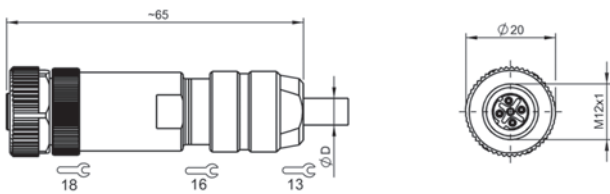


BCC0714



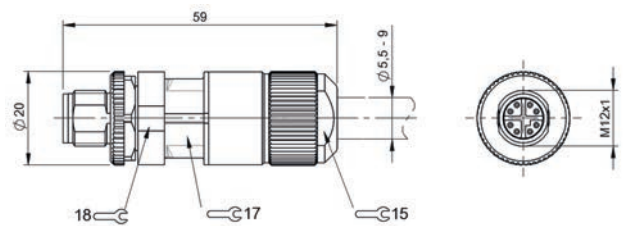
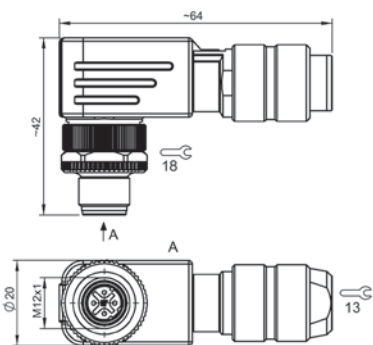
BCC0717, BCC03Y2

BCC0716



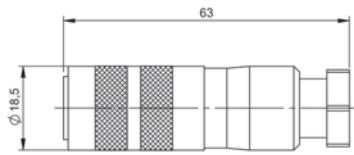
BCC03Y1

BCC03WZ

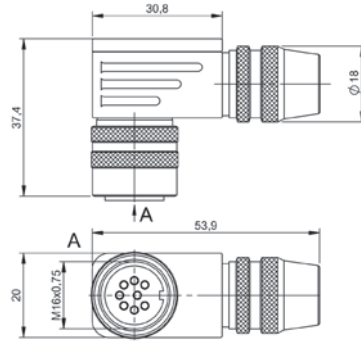


BCC03Y0

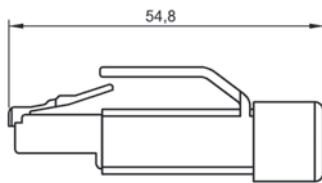
BCC0HTL



BCC00TT



BCC00UP



BCC06FH

